



Model 65A18-1 Omnistat2 Trim Ring

DESCRIPTION

The Model 65A18-1 Omnistat2 Trim Ring is used to cover marks and mounting holes from the previous thermostat when installing an HAI Omnistat2 thermostat in its place. It allows mounting directly to the wall or mounting on a vertical or horizontal outlet box.

INSTALLATION

When mounting the trim ring to the wall:

- 1) Hold the trim ring against the wall with the word “UP” at the top and facing you in the installation location.
- 2) Using a pencil, mark the two mounting holes (marked “A” in Figure 1).
- 3) Drill a hole using a 3/16” bit at each mounting hole marking.
- 4) Install the supplied wall anchors (marked “B” in Figure 1).
- 5) Place the trim ring on the wall so that the mounting holes line up with the wall anchors. Position the thermostat base on the trim ring so that the mounting holes on the thermostat line up with the mounting holes on the trim ring.
- 6) Secure the thermostat base and the trim ring to the wall using the two supplied #6 x 1” self-tapping screws (marked “C” in Figure 1).

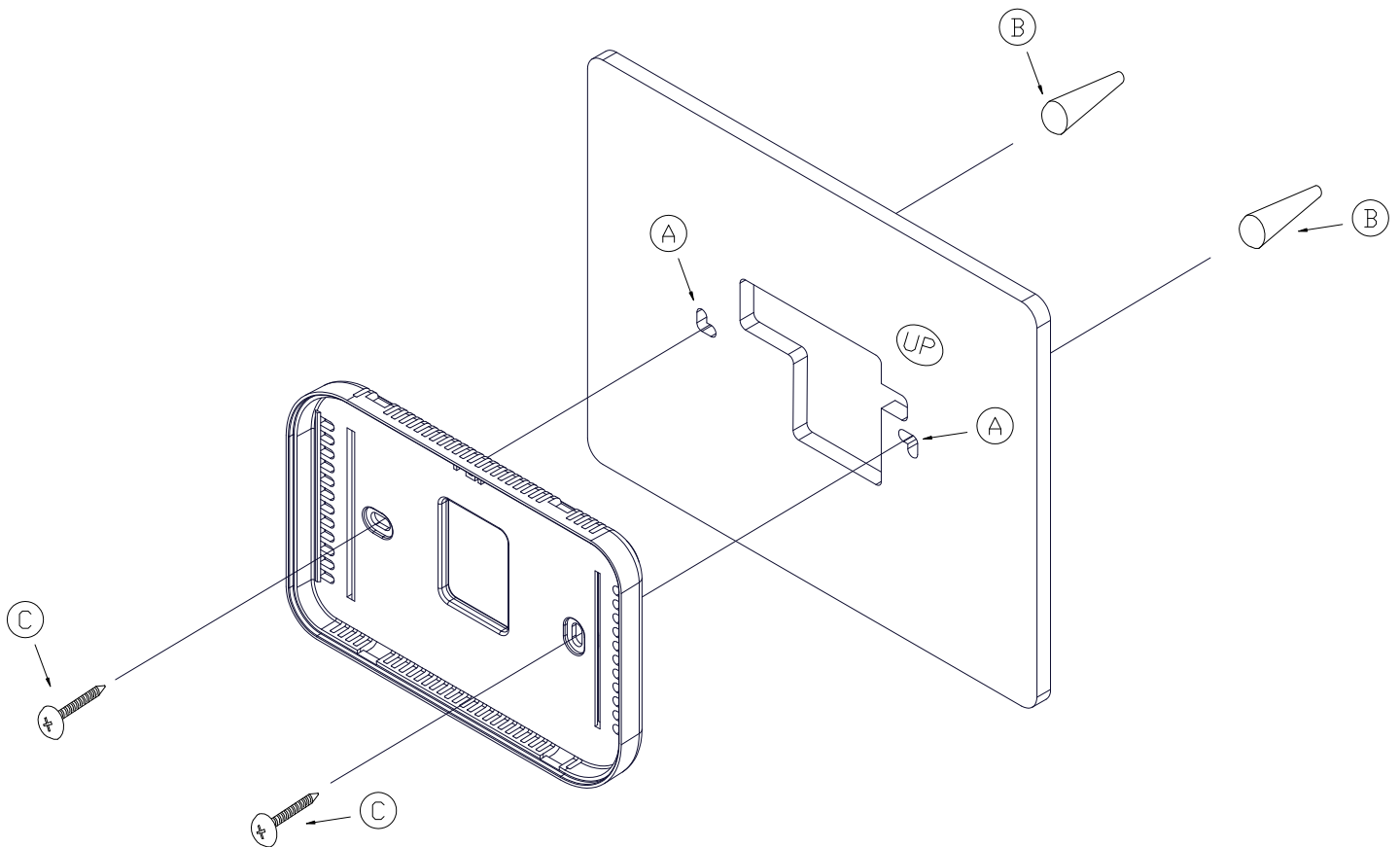


FIGURE 1

The trim ring can also be mounted to a 2" x 4" vertical or horizontal outlet box.

When mounting to a vertical outlet box:

1. Position the supplied wall bracket on the outlet box, insert the supplied machine screws, and tighten.
2. Place the trim ring on the wall bracket.
3. Position the thermostat base on the trim ring, insert screws, and tighten.

When mounting to a horizontal outlet box:

1. Place the trim ring on the outlet box.
2. Position the thermostat base on the trim ring, insert screws, and tighten.

SPECIFICATIONS

Dimensions: 7-3/8" x 5-3/4"